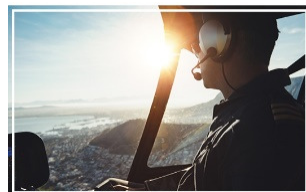


## JOIN US TO BE PART OF THE NEXT GENERATION AIRBORNE SATCOM SYSTEM

### SMP AVIATION – COMPANY PROFILE

smp aviation (Satcom Marketing & Project Management GmbH) specializes in providing security and security related solutions to organizations such as police, civil protection, coast guard, VIP's, business executives and many other agencies and has delivered services both to governmental organizations and non-governmental clients for more than two decades. smp aviation provides the latest technology leap in L-Band satellite communications and shows you that airborne satellite communications – when using the correct network – is an affordable and powerful tool to help you cover your communications needs. Applications such as ISR, Search & Rescue, Tele Engineering, Tele Medicine, Fishery Monitoring, Border Patrol, Contraband Monitoring, Office in the Sky and many more are now powerful assets and can support your operations with affordable, reliable real time information from the sky!

### APPLICATION FIELDS



Air Surveillance



Search and Rescue



Border Patrol



Special Operations



Fire Fighting



VIP & Office in the Sky



Fishery & Pollution Monitoring



Illegal Trafficking

### TECHNICAL SYSTEM OVERVIEW – MAIN COMPONENTS

A typical ThurayaAero aircraft installation consists of the following main components:

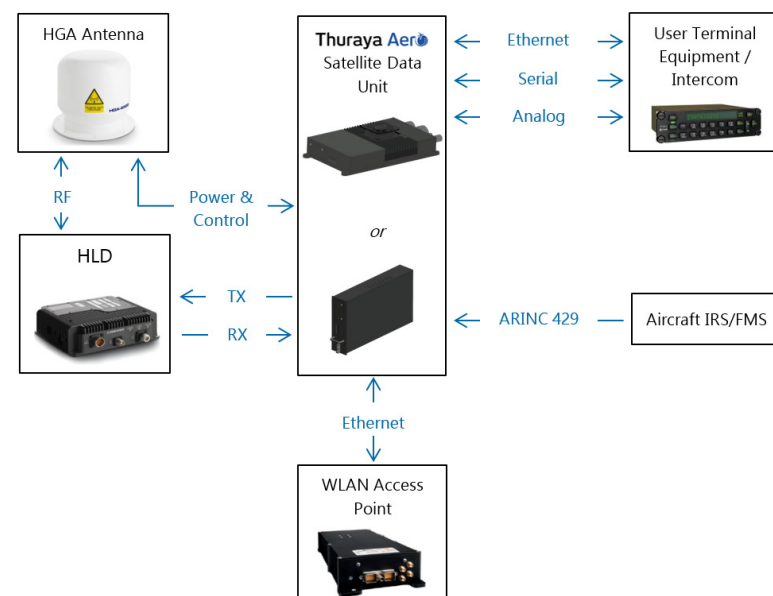
- Single Channel SDU
- High Power/Low Noise Amplifier HLD
- High Gain Antenna, HGA
- Wireless Access Point

and it provides interfaces to:

- Aircraft Navigation Data Interface (IRS)
- User Terminal Equipment

The SDU offers Thuraya voice and the following broadband services:

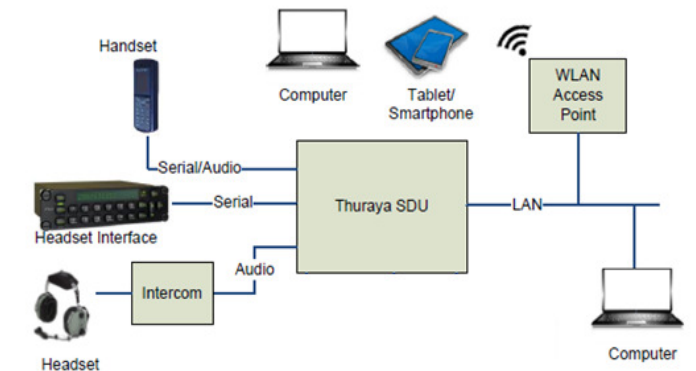
- Thuraya Broadband "Standard Service": Background-IP connection up to 444 kbit/s
- Thuraya Broadband "Streaming Service": Streaming-IP connection up to 384 kbit/s



### INTERFACES

#### Possible User Interfaces

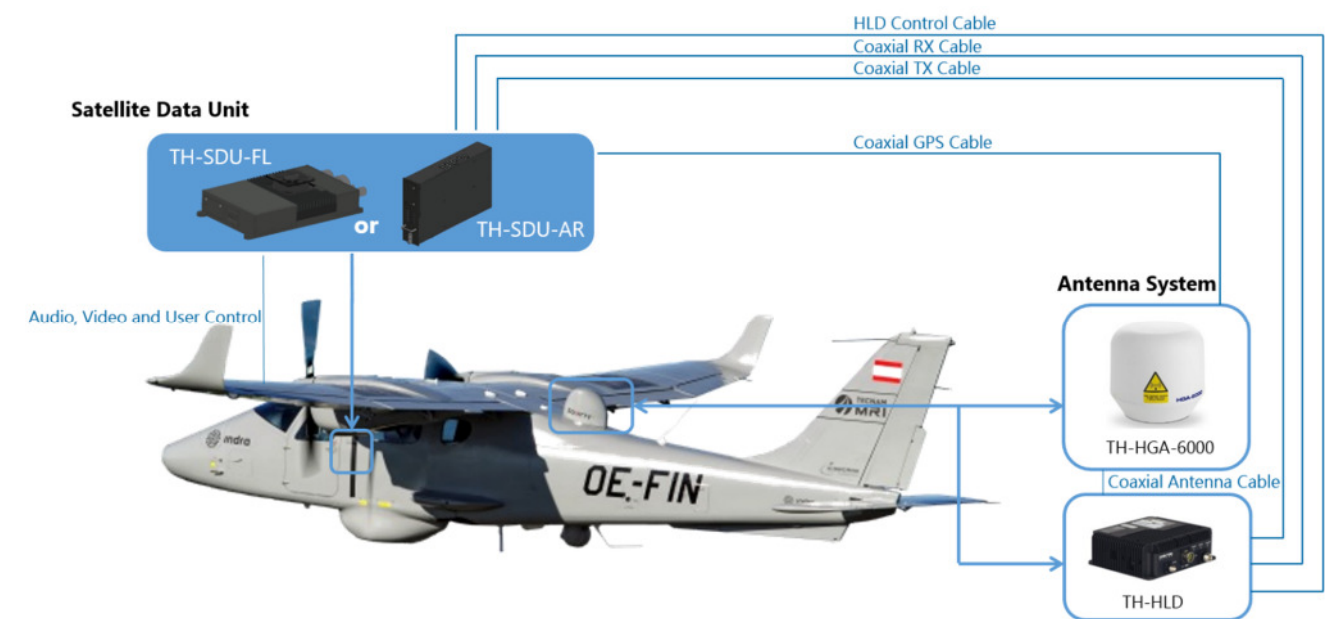
While the ThurayaAero SDU provides numerous wired analog and digital interfaces (e.g. to connect an existing Intercom System or Dialpad to the ThurayaAero SDU), supporting a wide range of existing devices on the market, the WLAN Access Point provides a gateway for wireless applications (e.g. for your smartphone, Tablet, Laptop or other). The following diagram shows possible interfaces for user interaction with the system.



#### Aircraft IRS

The ThurayaAero HGA antenna must have a clear view of the satellite to connect to the Broadband network. In order to point the antenna towards the satellite, the system needs to know the location of the aircraft (including heading, roll and pitch attitude). The data will be provided by the IRS data sources of the aircraft on regular basis using the ARINC 429 data bus.

### INSTALLATION



**SMP AVIATION PROVIDES A WAY OF KEEPING IN TOUCH, BEYOND LINE-OF-SIGHT, NO MATTER WHERE YOUR MISSION TAKES YOU!**

*Note: Please be aware that the ThurayaAero System is under development at the moment. Commercial units will be available in Q2/2017*